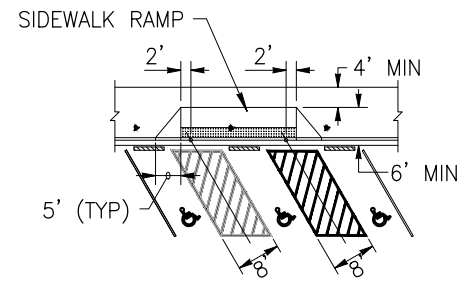
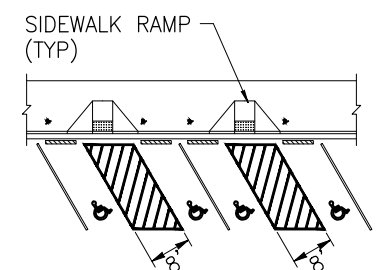


**ONE ACCESSIBLE STALL**  
60° PARKING STALL ARRANGEMENT

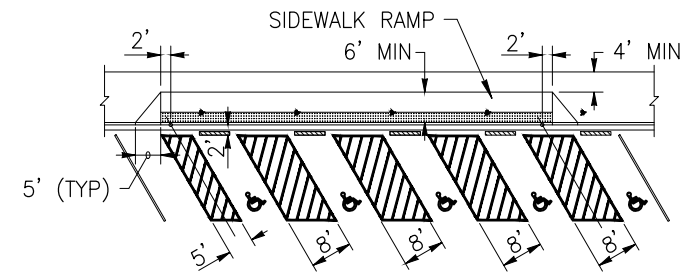
**TWO ACCESSIBLE STALLS**  
60° PARKING STALL ARRANGEMENT



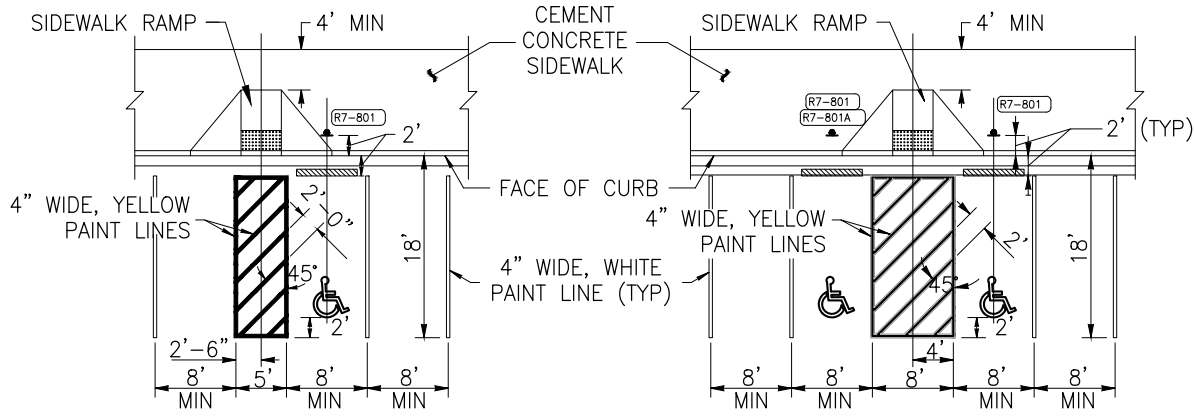
**THREE ACCESSIBLE STALLS**  
60° PARKING STALL ARRANGEMENT



**FOUR ACCESSIBLE STALLS**  
60° PARKING STALL ARRANGEMENT



**FIVE ACCESSIBLE STALLS**  
60° PARKING STALL ARRANGEMENT



**ONE ACCESSIBLE STALL**  
90° PARKING STALL ARRANGEMENT

**TWO ACCESSIBLE STALLS**  
90° PARKING STALL ARRANGEMENT

**NOTES:**

1. THREE, FOUR, AND FIVE ACCESSIBLE STALL ARRANGEMENTS MAY BE EITHER 60° (ANGLED) OR 90° (PERPENDICULAR). SEE CONTRACT.
2. AN ACCESSIBLE PARKING SPACE PAVEMENT MARKING IS REQUIRED FOR EACH ACCESSIBLE PARKING STALL. A BLUE BACKGROUND AND WHITE BORDER ARE REQUIRED WHEN THE PAVEMENT SURFACE IS CONCRETE.
3. ALL ACCESSIBLE STALLS SHALL HAVE WHEEL STOPS. PLACE WHEEL STOPS IN OTHER STALL WHEN SPECIFIED IN THE CONTRACT. WHEEL STOPS SHALL BE 6" HIGH AND APPROXIMATELY 6' LONG. REFER TO THE LATEST WSDOT STANDARD PLANS FOR CURB RAMP DETAILS.
4. REFER TO THE STANDARD DRAWING DM.F2.7 FOR PAVEMENT MARKING DETAILS.

**LEGEND**

- ▶ (R7-801) RESERVED PARKING SIGN AND POST WITH PLAQUE IF INDICATED.
- ♿ ACCESSIBLE PARKING SPACE PAVEMENT MARKING
- ▬ WHEEL STOP
- ▨ DETECTABLE WARNING PATTERN

NOT TO SCALE



**CITY OF DES MOINES**  
PUBLIC WORKS DEPARTMENT  
ENGINEERING SERVICES  
21650 11TH AVENUE SOUTH  
DES MOINES, IA 98198



**ACCESSIBLE PARKING SPACE PAVEMENT MARKING**

**DM.F6.1**

REVISED: 02/23